

**Miniature Waterproof Shielded Connector
Manufacturer: HIROSE ELECTRIC CO., LTD
Part No.: LF07WBR-6P**



CON6: ICD for TacSight SE35 Special Connector

PIN NO	SYMBOL	I/O	DESCRIPTION	REMARK
1	VIN	I	+10V Voltage DC Input	Note 1
2	GND	I/O	Power Ground and Video Ground	
3	ZOOM	I	Zoom Switch	Note 2
4	POLARITY	I	Polarity Switch	Note 2
5	VIDEO OUT	O	Video Output	
6	SWITCH COMMON	I	Common Pin for Switches	

Note 1: The power input voltage should be between 9 and 15VDC.
Note 2: Momentary switch.

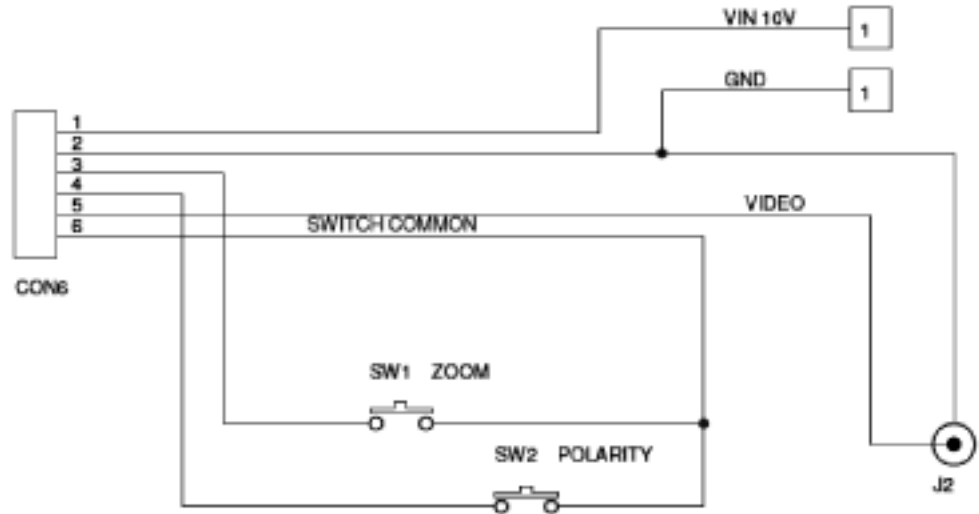


Figure 1: Recommended external electronic connection